

PUSH-FIT BLANK END ENSIGN SOIL EF071

DESCRIPTION

The blank end with a 50mm push-fit connection is designed to be a blanking cap for stack systems which can then adapt to a waste or vent pipe. It is commonly used to input 2" plastic or copper waste and vent pipe into a stack/stub stack.

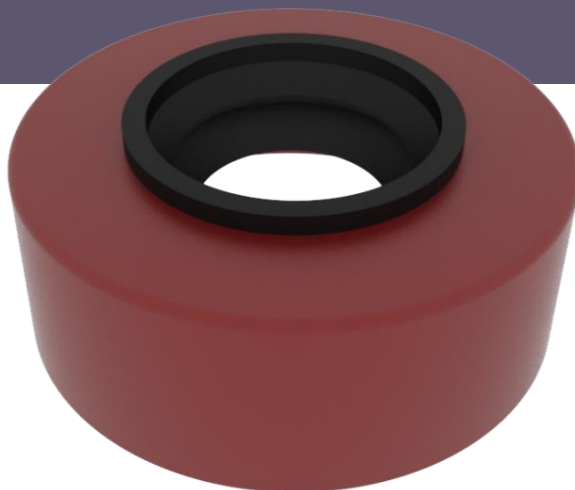
RECOMMENDED USE

- Domestic use
- Wastewater
- Rainwater
- Runoff water
- Hot effluents

STANDARDS & APPROVALS

- Industry product standard: BS EN 877
- Range fire classification: A1

IDENTIFICATION LABEL



MATERIALS & COATINGS

- Cast Iron
- Internally and externally coated red-brown, anti-corrosive epoxy powder coating, average thickness 150 µm internally and 70µm externally
- EPDM rubber grommet 54mm

TECHNICAL FEATURES

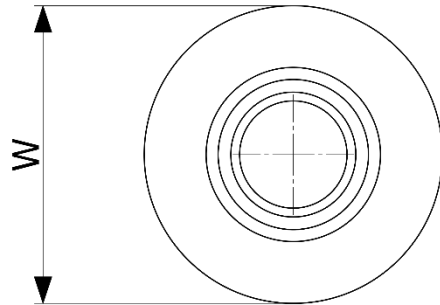
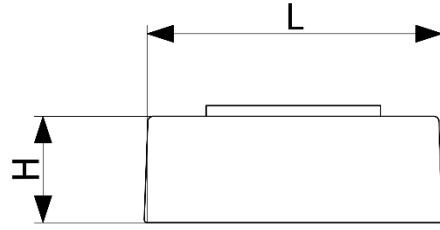
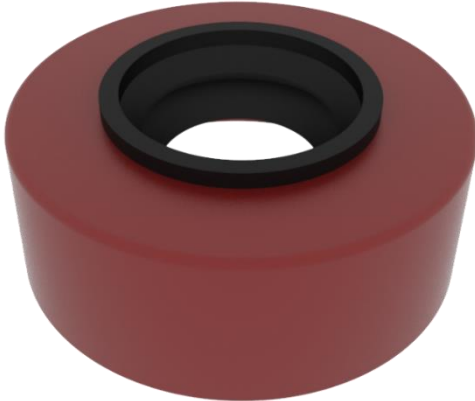
- Hot water resistance: 24hr @ 95°C
- Thermal cycle resistance: 1500 cycles between 15°C and 93°C
- Chemical resistance for 2>ph>12
- Salt spray resistance internal coating: more than 350hrs.

ENVIRONMENTAL DATA

- Percentage of recycled content: 99%
- Recycling information: Cast Iron is 100% recyclable through the existing recycling industrial network.

Data source: Environmental Product Declaration S-P-02190

PUSH-FIT BLANK END ENSIGN SOIL EF071



DN	L	H	W	WEIGHT (KG)	PRODUCT CODE
70	78	35	78	0.4	191577
100	110	40	110	1.0	191578
150	160	50	160	1.6	191580



- Rubber grommets to connect to 54mm OD copper or 56mm OD UPVC waste are supplied separately in bags of 10. Product code 208205

This document is provided for information purposes and our company reserves the right to modify the information contained herein at any time. Our company declines all responsibility of materials that do not comply with the rules prescribed in this document as well with the standards, the technical documents and the applicable professional standards. Any orders placed will be subject to our General Terms and Conditions of Sale, available on request. The drawings and/or images are the exclusive property of PAM Building and are confidential. They must not be reproduced or disclosed to any third party without written consent. They may only be used for the purpose for which they were issued and are returnable on request.