

# ASPHALT ROOF CONNECTOR ENSIGN SOIL EF073

## DESCRIPTION

The asphalt roof connector is specifically designed to give a roof penetrating seal for asphalt type roof applications. It is mainly used where pipe is venting to atmosphere on a roof top.

## RECOMMENDED USE

- Domestic use
- Wastewater
- Rainwater
- Runoff water
- Hot effluents

## STANDARDS & APPROVALS

- Industry product standard: BS EN 877
- Range fire classification: A1

## IDENTIFICATION LABEL



## MATERIALS & COATINGS

- Cast Iron
- Internally and externally coated red-brown, anti-corrosive epoxy powder coating, average thickness 150 µm internally and 70µm externally.
- Zinc & Clear Mild Steel Hex Head Bolts (M8) with matching Nut
- EPDM gasket

## TECHNICAL FEATURES

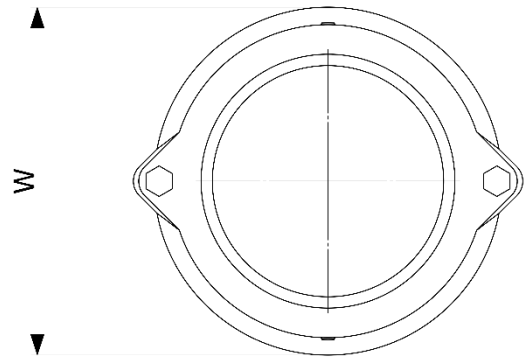
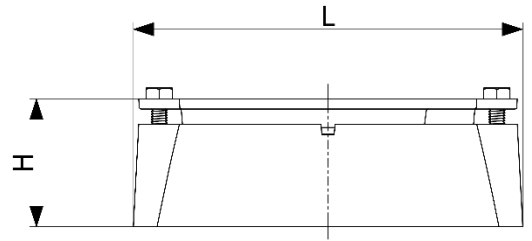
- Hot water resistance: 24hr @ 95°C
- Thermal cycle resistance: 1500 cycles between 15°C and 93°C
- Chemical resistance for 2>ph>12
- Salt spray resistance internal coating: more than 350hrs.

## ENVIRONMENTAL DATA

- Percentage of recycled content: 99%
- Recycling information: Cast Iron is 100% recyclable through the existing recycling industrial network.

**Data source: Environmental Product Declaration S-P-02190**

# ASPHALT ROOF CONNECTOR ENSIGN SOIL EF073



DN	L	H	W	WEIGHT (KG)	PRODUCT CODE
100	185	72	170	2.1	191581

This document is provided for information purposes and our company reserves the right to modify the information contained herein at any time. Our company declines all responsibility of materials that do not comply with the rules prescribed in this document as well with the standards, the technical documents and the applicable professional standards. Any orders placed will be subject to our General Terms and Conditions of Sale, available on request. The drawings and/or images are the exclusive property of PAM Building and are confidential. They must not be reproduced or disclosed to any third party without written consent. They may only be used for the purpose for which they were issued and are returnable on request.