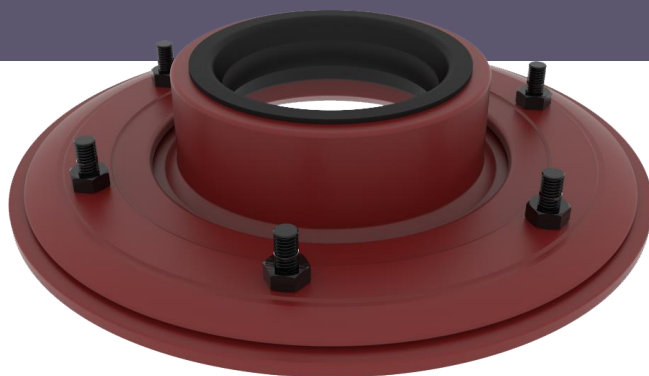


ROOF PENETRATION FLANGE ENSIGN SOIL EF076



DESCRIPTION

The roof penetration flange is to ensure installation of a perfectly watertight roof penetration for cast iron pipework; primarily ventilation pipes. The flanged fitting clamp both the vapour barrier and the waterproofing layer to achieve a water-tight seal.

RECOMMENDED USE

- Domestic use
- Venting systems
- Roof waterproofing

STANDARDS & APPROVALS

- Industry product standard: BS EN 877
- Range fire classification: A1

IDENTIFICATION LABEL



MATERIALS & COATINGS

- Ductile Iron
- Internally and externally coated red-brown, anti-corrosive epoxy powder coating, average thickness 150 µm internally and 70µm externally
- Gasket: EPDM
- Bolts: M10 Mild Steel black coated
- Nuts: M10 Mild steel black coated

TECHNICAL FEATURES

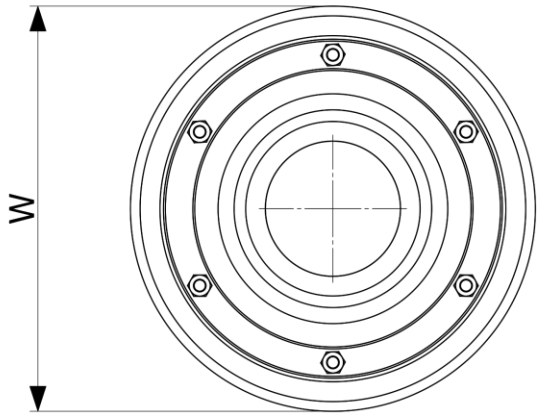
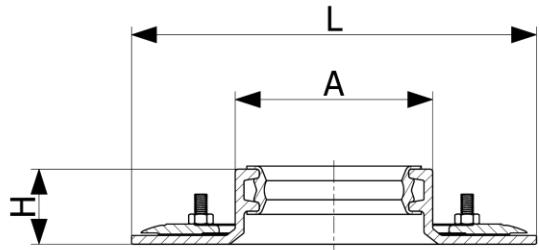
- Hot water resistance: 24hr @ 95°C
- Thermal cycle resistance: 1500 cycles between 15°C and 93°C
- Chemical resistance for 2>ph>12
- Salt spray resistance internal coating: more than 350hrs.

ENVIRONMENTAL DATA

- Percentage of recycled content: 99%
- Recycling information: Cast Iron is 100% recyclable through the existing recycling industrial network.

Data source: Environmental Product Declaration S-P-02190

ROOF PENETRATION FLANGE ENSIGN SOIL EF076



DN	L	H	W	A	WEIGHT (KG)	PRODUCT CODE
75	286	60	286	135	6.1	205922
100	324	60	324	158	6.6	205924
150	379	60	379	212	10.5	238554

This document is provided for information purposes and our company reserves the right to modify the information contained herein at any time. Our company declines all responsibility of materials that do not comply with the rules prescribed in this document as well with the standards, the technical documents and the applicable professional standards. Any orders placed will be subject to our General Terms and Conditions of Sale, available on request. The drawings and/or images are the exclusive property of PAM Building and are confidential. They must not be reproduced or disclosed to any third party without written consent. They may only be used for the purpose for which they were issued and are returnable on request.